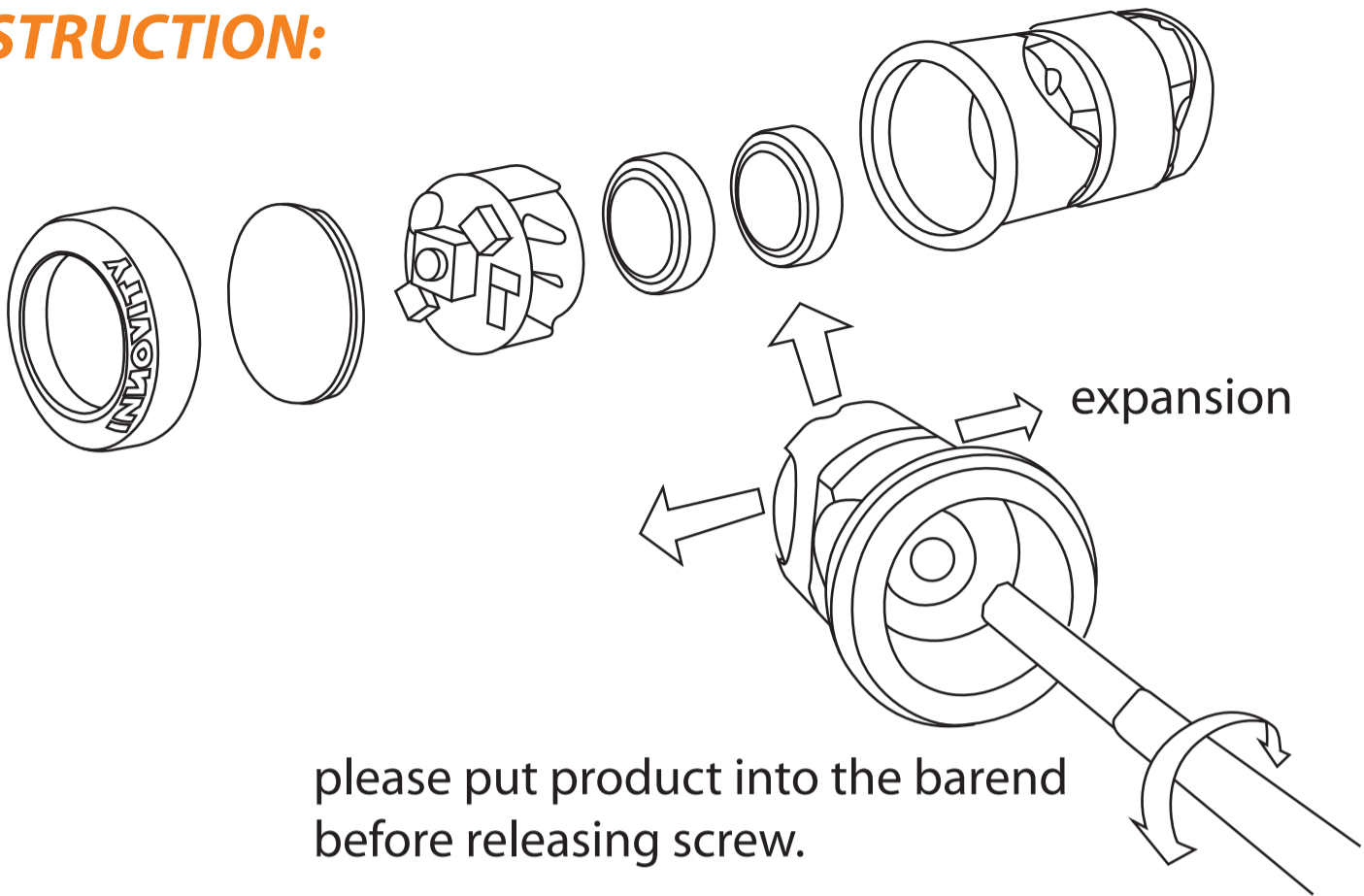


INSTRUCTION:



LED Bar End Cap

FEATURE:

- light the bike, see the bike.
- adjustable rubber expansion.
- lightweight design with stylish anodized color.

SPECIFICATION

- material: aluminum.
- mode: steady & flashing.
- run time: 40hs @ flashing; 20hs @steady.
- tube dia.: 16~25 mm.
- red LED wattage: 0.04w.
- battery: button cell x 2 PCS (LR1130).
- water resistant level.

INNOVITY

PROGRESSIVE CYCLES CO., LTD
www.progressivecycles.com.tw
MADE IN TAIWAN

